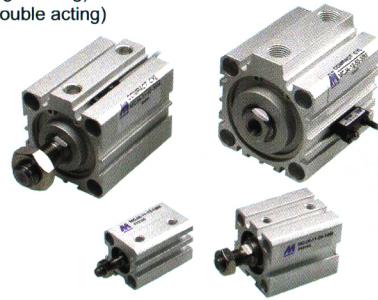


- Light weight & space saving.
- Easy installation.
- Easy dismantling for maintenance.
- High quality & long service life.
- Easy mounting of sensor switch.
- Single / Double rod, adjustable stroke, internal / External thread as your requirement.
- With or without magnet.

**MCJA series**

Bore size:  
 ø12~ø50 (Single acting)  
 ø12~ø100 (Double acting)



**Multiple position**

Bore size:  
 ø12~ø50  
 (Single acting)  
 ø12~ø100  
 (Double acting)



**Back to back type**

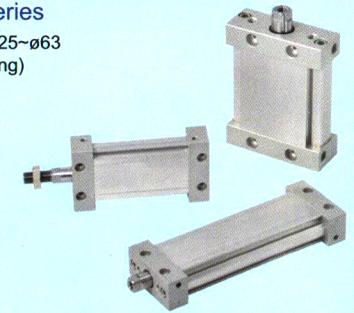
Bore size:  
 ø12~ø50  
 (Single acting)  
 ø12~ø100  
 (Double acting)



**PLATE CYLINDERS**

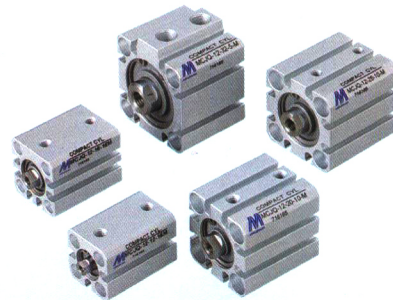
**MCJU series**

Bore size: ø25~ø63  
 (Double acting)



**MCJQ series**

Bore size: ø12~ø100 (Double acting)



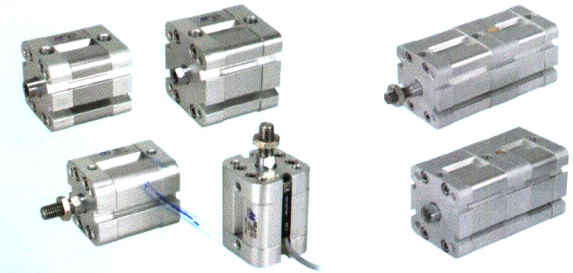
**MCJQ2 series**

Bore size: ø12~ø25 (Double acting)



**MCJI series (ISO-21287)**

Bore size: ø20~ø100  
 (Double acting)



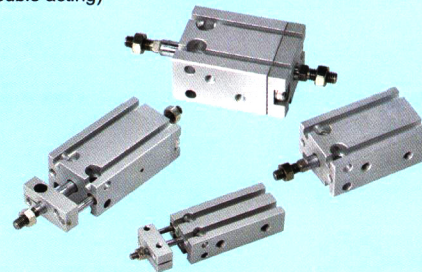
**Multiple position**

Bore size: ø20~ø100  
 (Double acting)

**MULTI-MOUNT CYLINDERS**

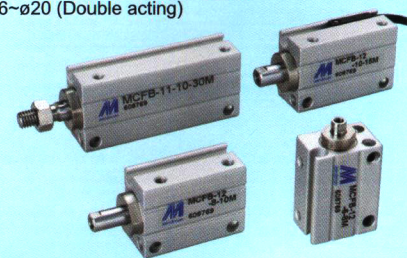
**MCFA series**

Bore size: ø6~ø32  
 (Double acting)



**MCFB series**

Bore size:  
 ø6~ø10 (Single / Double acting)  
 ø6~ø20 (Double acting)



**CYLINDER KITS**

**MCJA** Compact cylinders & Repair kits

**MCJQ** Compact cylinders & Repair kits

**MCJI** Compact cylinders & Repair kits

