

Electronic Pressure switch Model 711

Switzer data sheet EPS-711-2&4

Applications

- Hydraulics
- Pneumatics
- Pump control
- Compressor control
- Special purpose machines

Special features

- Stainless steel sensor
- Large display with backlight
- High accuracy
- Analog output
- Two and four setpoint relay output
- Multiple unit selection choice
- Fully configurable internal and external push switches

Switzer Electronic Pressure Switch Model 711 is ideal for precise process pressure measurement. This instrument is built with high accurate piezo-resistive pressure sensor with 316SS diaphragm which is suitable for media like non-corrosive liquids and air.

A wide range of pressure readings with optimum resolution are indicated through a large LCD display with back light. Two or Four independent setpoint is provided with SPDT relay output for on-off control function.

In addition, this instrument provides 4–20 mA DC analog current output. The output current range is programmable within the instrument calibrated range.



Fig. top: Electronic pressure switch, model 711 for two setpoints

Fig. bottom: Electronic pressure switch, model 711 for four setpoints

Operational settings are done through 3 push switches accessible upon removal of cover or on the front through membrane keypad.

The entire circuitry is housed in a cast aluminium, IP65 compliant weatherproof enclosure suitable for surface / wall (or) pipe mounting.

Standard version

Range

- Standard (0~700 mbar, 0~350 bar)
- Flush mount (0~700 mbar, 0~35 bar)
- Triclover (0~700 mbar, 0~10 bar)

Pressure sensor

Piezo-resistive 316 SS sensor

Maximum working pressure

Refer range table.

Accuracy (inclusive of linearity, hysteresis and repeatability)

±0.30% FSR

Power supply

- 100V to 240V AC
- 18V to 36V DC

Electrical connection (Power, Relay & Analog output)

- 2 setpoint: 10 position screw clamp terminals through PVC cable gland suitable for 4 to 8 mm OD cable, 2 Nos.
- 4 setpoint: 16 position screw clamp terminals through PVC cable gland suitable for 4 to 8 mm OD cable, 4 Nos.

Display

1 x 8 dot matrix LCD with yellow green back light

Display character height

10.7 mm

Process value

4 digits, 9999 counts maximum

Decimal point

Automatically selected based on range

Display units option

8 units (cmWC, mbar, mmWC, psi, bar, Kg/cm², KPa, MPa)

Analog output

Current: 4 to 20 mA

Analog output range

Any range programmable within the instrument calibrated range.

Analog output load capacity

400 ohms

Set points

- 2 (Two)
- 4 (Four)

Set point range

Any value within instrument range

Relay contact rating

- 2 setpoint: 2 independent relay contacts, each with 5A at 250V AC / 28 VDC
- 4 setpoint: 4 independent relay contacts, each with 5A at 250V AC / 28 VDC

Time delay

0 to 250 secs continuously selectable

Relay status

Relay ON indication by red LEDs for each setpoint

Dead band

Configurable through Relay ON and OFF setting

Enclosure protection

Die-cast Aluminium Weatherproof to IP65, IEC 60529

Process connection

Refer ordering matrix

Process connection material

316 SS

Wetted parts

316 SS with Viton® 'O' ring

Mounting

Direct on line or 2" pipe

Overall dimension

Refer mounting dimensions

Process temperature limits

- Standard process connection
0°C to 85°C without Heat Sink
upto 125°C with Heat Sink
- Flush mount or Triclover process connection
0°C to 60°C

Ambient temperature limits

0 to 60°C

Ambient relative humidity

95%

Viton® is a registered trademark of DuPont Dow Elastomers

Ordering matrix

Basic model number	711								
Range									
Select code from range table									
Number of setpoint									
Two									B
Four									D
Power supply									
100 to 240V AC									L
18 to 36V DC									P
Process connection									
Standard: 1/2" NPTM and 1/4" NPTF									F
Flush mount: 3/4" BSPM									G
1" 316 SS Triclover clamp with fittings									L
Process temperature (for process connection code 'F' only)									
Below 85°C without Heat sink									N
Above 85°C below 125°C with Heat sink, 316 SS									H
Mounting									
Direct on-line									E
2" Pipe									C
Mounting material (for mounting code 'C' only)									
Powder coated mild steel									V
316 Stainless steel									B

Range table

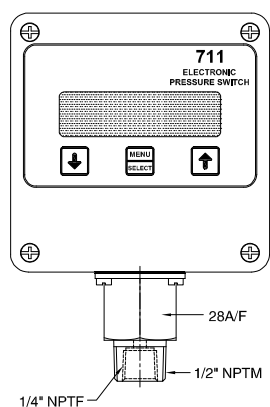
Range Code	Range	Maximum working pressure
M23	200 mbar	400 mbar
M26	350 mbar	700 mbar
M33	700 mbar	1400 mbar
B04	1 bar	2 bar
B06	2 bar	4 bar
B08	3.5 bar	7 bar
B11	10 bar	20 bar
B12 ★	20 bar	40 bar
B13 ★	35 bar	70 bar
B16 §	100 bar	150 bar
B17 §	200 bar	300 bar
B18 §	350 bar	500 bar

★ Not available in Triclover option

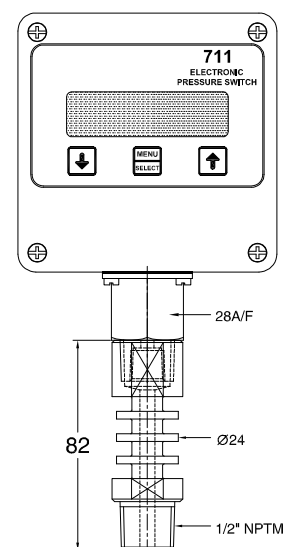
§ Not available in flush mount and triclover option

Heat sink (for code 'H')

Instrument without Heat sink



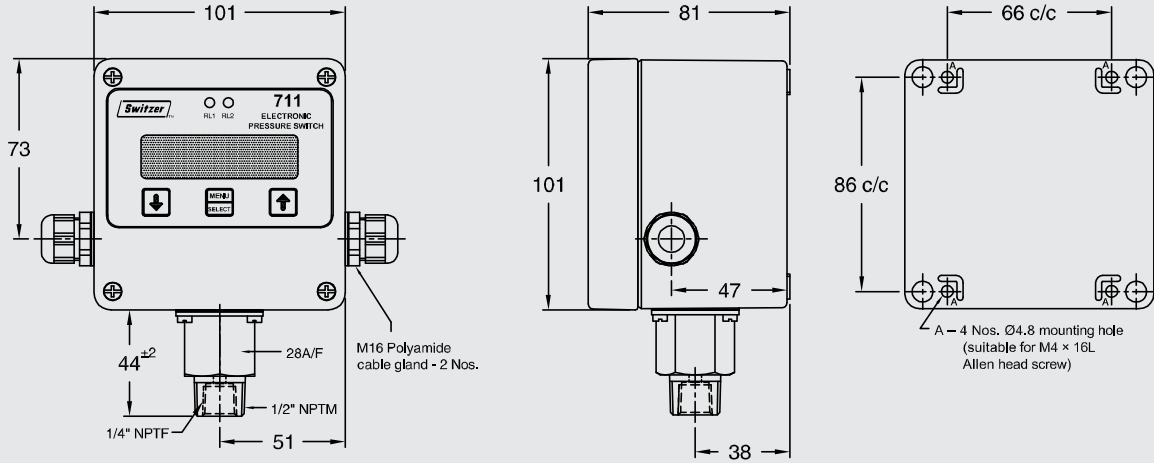
Instrument with Heat sink



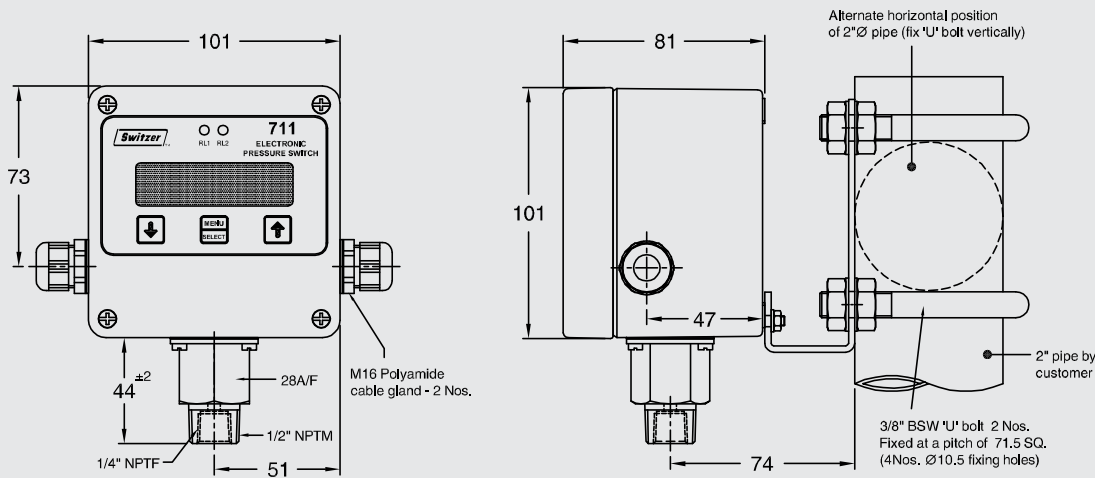
Dimensions in mm

Two setpoint

Direct mounting

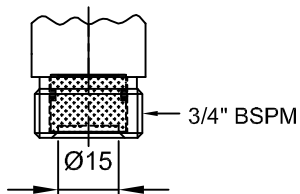


2" Pipe mounting

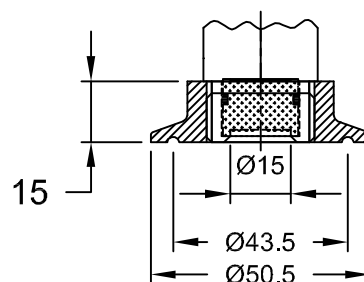


Optional Process Connection for Two and Four setpoint

Flush mount



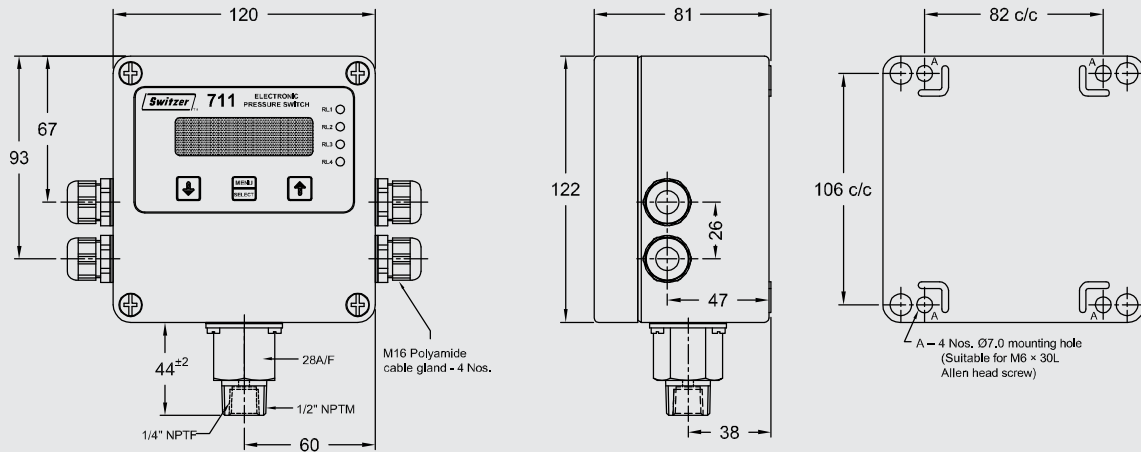
Triclover



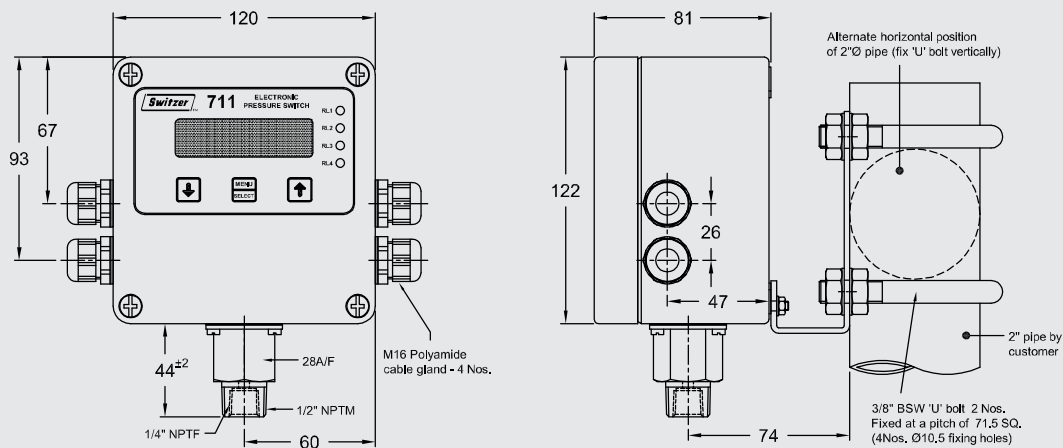
Dimensions in mm contd...

Four setpoint

Direct mounting



2" Pipe mounting



Ordering information

Basic model number / Range / Number of setpoint / Power supply / Process connection / Process temperature / Mounting / Mounting material

© 2018 Switzer Process Instruments Pvt. Ltd., all rights reserved.
The specifications given in this document represent the state of engineering at the time of publishing.
We reserve the right to make modifications to the specifications and materials.